

MONOCRYSTALLINE, 60-CELL SERIES

ELECTRICAL PERFORMANCE

Module type: ESPSC	290	/	295	/	300	/	305	/	310
Maximum Power(Wp)	290W	295W	300W	305W	310W				
Open circuit Voltage(Voc)	38.3V	38.5V	38.7V	38.95V	39.2V				
Short circuit Current(Isc)	9.58A	9.7A	9.8A	9.87A	9.95A				
Maximum Power Voltage(Vm)	32.6V	32.8V	33V	33.25V	33.5V				
Maximum Power Current(Im)	8.9A	9A	9.1A	9.18A	9.26A				
Module efficiency	17.8%	18.1%	18.4%	18.6%	18.9%				
Maximum Series Fuse	15A								
Watts positive tolerance	0~+3%								
Number of Diode	3								
Standard Test Conditions	1000W/M ² , 25°C, AM1.5								
Maximum System Voltage	1000V/DC								
Temperature-Coefficient Isc	+0.08558%/°C								
Temperature-Coefficient Uoc	-0.29506%/°C								
Temperature-Coefficient Pmpp	-0.38001%/°C								
Normal Operating Cell Temperature	-40°C...+85°C								
Load Capacity for the cover of the module (glass)	5400Pa(IEC61215)(snow)								
Load Capacity for the front & back of the module	2400Pa(IEC61215)(wind)								
Product Certificate	TUV(IEC 61215, IEC 61730), CE, ROHS, PID Resistant, INMETRO								
Company Certificate	ISO9001, ISO14001, ISO18001								

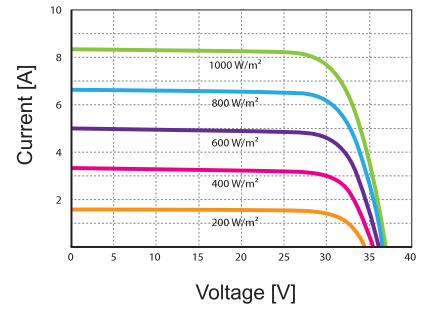
MECHANICAL CHARACTERISTICS

Front cover (material / thickness)	low-iron tempered glass / 3.2mm
Backsheet (color)	TPT in Black
Cell (quantity / material / dimensions)	60 / monocrystalline silicon / 156.75x156.75mm
Frame (material / color)	aluminum hollow-chamber frame on each side anodized aluminum alloy / Black
Junction box (protection degree)	≥IP68
Cables & Plug connectors	2x900mm / 4mm ² & MC4 compatible
Module Dimensions (L / W / H)	1640x992x35mm (A) / 1650x990x35mm (B)
Module Weight	17.75kg
Application class	Class A
Electrical protection class	Class II
Fire safety class	Class C

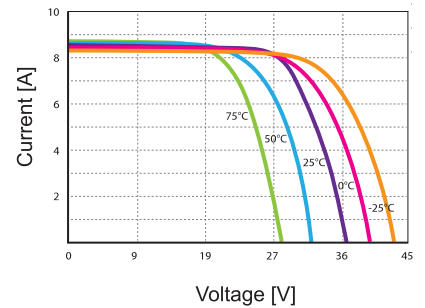
PACKING

Container Size	Units/Pallet (PCS)	Weight/Pallet (KG)	Pallet Measurement (mm)	Units/Container (PCS)
20GP	30	560	1690x1130x1120	360
40HQ	30	560	1690x1130x1120	938
	37	688	1690x1130x1370	

CURRENT-VOLTAGE CURVES:



Module characteristics at constant module temperatures of 25°C and variable levels of irradiance



Module characteristics at variable module temperatures and constant module irradiance of 1.000 W/m²

MODULE DIAGRAM:

