



# ESPMC

## Polycrystalline Solar Module

### KEY FEATURES

156

**5 Busbar Solar Cell:**  
5 busbar solar cell adopts new technology to improve the efficiency of modules , offers a better aesthetic appearance, making it perfect for rooftop installation.

**Higher Module Conversion Efficiency:**  
Polycrystalline 60-cell module achieves a power output up to 290Wp.

**Low-light Performance:**  
Advanced glass and surface texturing allow for excellent performance in low-light environments.

**+** WATTS POSITIVE TOLERANCE

**12** YEARS PRODUCT WARRANTY

**25** YEARS LINEAR POWER WARRANTY

/37/



Zhejiang ERA Solar Technology Co., Ltd.  
www.erasolar.com.cn



## POLYCRYSTALLINE, 60-CELL SERIES

### ELECTRICAL PERFORMANCE

Module type: ESPMC	270M	275M	280M	285M	290M
Maximum Power(Wp)	270W	275W	280W	285W	290W
Open circuit Voltage(Voc)	37.40V	37.60V	37.80V	38V	48.20V
Short circuit Current(Isc)	9.14A	9.25A	9.36A	9.47A	9.58A
Maximum Power Voltage(Vm)	31.80V	32V	32.20V	32.40V	32.60V
Maximum Power Current(Im)	8.50A	8.60A	8.70A	8.80A	8.90A
Module efficiency	16.50%	16.90%	17.20%	17.40%	17.70%
Maximum Series Fuse	15A				
Watts positive tolerance	0~+3%				
Number of Diode	3				
Standard Test Conditions	1000W/M <sup>2</sup> ,25°C,AM1.5				
Maximum System Voltage	1000V/DC				
Temperature-Coefficient Isc	+0.8558%/°C				
Temperature-Coefficient Voc	-0.29506%/°C				
Temperature-Coefficient Pmpp	-0.38001%/°C				
Normal Operating Cell Temperature	-40°C...+85°C				
Load Capacity for the cover of the module (glass)	5400Pa(IEC61215)(snow)				
Load Capacity for the front & back of the module	2400Pa(IEC61215)(wind)				
Product Certificate	TUV(IEC 61215,IEC 61730),CE, ROHS,PID Resisitant,INMETRO				
Company Certificate	ISO9001,ISO14001,ISO18001				

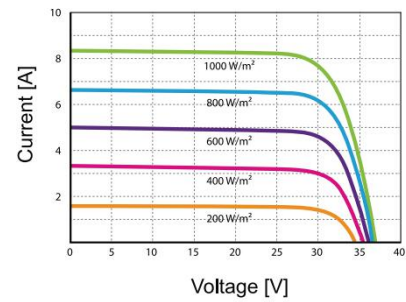
### MECHANICAL CHARACTERISTICS

Front cover (material / thickness)	low-iron tempered glass / 3.2mm
Backsheet (color)	TPT in white
Cell (quantity / material / dimensions)	60 / monocrystalline silicon / 125x125mm
Frame (material / color)	aluminum hollow-chamber frame on each side anodized aluminum alloy / silver
Junction box (protection degree)	≥IP68
Cables & Plug connectors	2x900mm / 4mm <sup>2</sup> & MC4 compatible
Module Dimensions (L / W / H)	1640x992x35mm (A)
Module Weight	17.75kg
Application class	Class A
Electrical protection class	Class II
Fire safety class	Class C

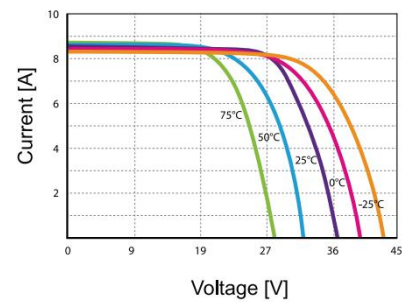
### PACKING

Container Size	Units/Pallet (PCS)	Weight/Pallet (KG)	Pallet Measurement (mm)	Units/Container (PCS)
20GP	31	570	1680x1130x1120	372
40HQ	31	570	1680x1130x1120	966
	38	690	1680x1130x1385	

### CURRENT-VOLTAGE CURVES:



Module characteristics at constant module temperatures of 25°C and variable levels of irradiance



Module characteristics at variable module temperatures and constant module irradiance of 1.000 W/m<sup>2</sup>

### MODULE DIAGRAM:

