

# ESPMC

## Polycrystalline Solar Module

### SPECIFICATIONS

Dimensions	1640 x 992 x 35 mm 1640 x 992 x 40 mm 1640 x 992 x 45 mm
Weight	17.75 kg
Frame	Aluminium hollow-chamber frame on each side
Glass	Low-iron and tempered glass 3.2 mm
Cells	60 pcs multicrystalline Si-cells (156 x 156 mm)
Cell Embedding	EVA
Back-Foil	FEVE / PET / FEVE
Junction Box	TÜV certified
Cable	4 mm <sup>2</sup> solar cable 2 x 900 mm
Temperature Range	-40°C ... +85°C
Load Capacity	2400 Pa(IEC 61215),35mm 5400 Pa(IEC 61215),45mm
Application class	Class A
Electrical protection class	Class II
Fire safety class	Class C
Product Warranty	10 years
Power Guarantee	10 years 90% 25 years 80%

### CHARACTERISTICS

Max. System Voltage	1000V/DC
Temperature-Coefficient $I_{SC}$	+0.08558%/°K
Temperature-Coefficient $V_{OC}$	-0.29506%/°K
Temperature-Coefficient $P_{MPP}$	-0.38001%/°K
NOCT***	45°C

### CERTIFICATES

IEC 61215 edition 2 (TÜV Nord)  
(TÜV Rheinland)

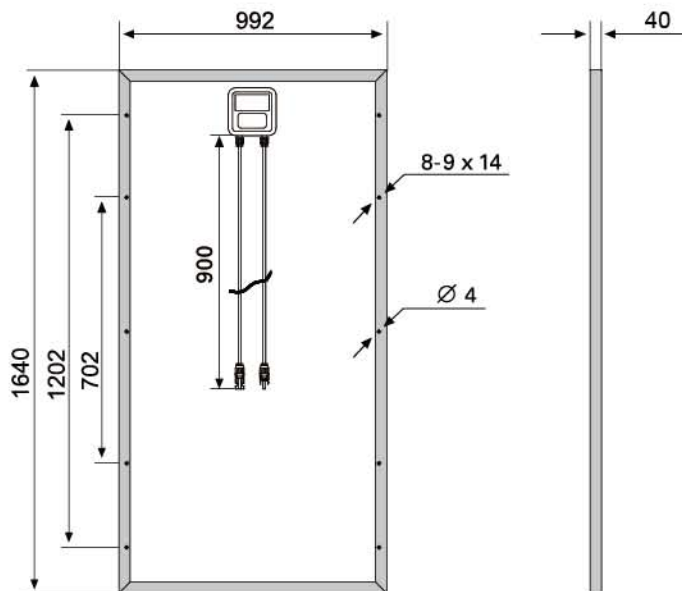
IEC 61730 MCS INMETRO

CE CEC SALT-MIST

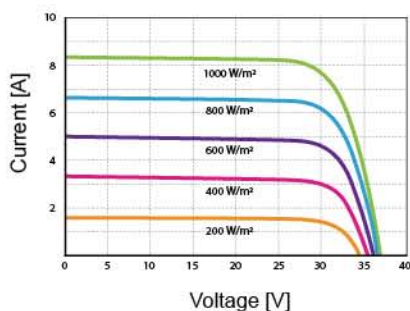
PID Resistant

### INSURANCE

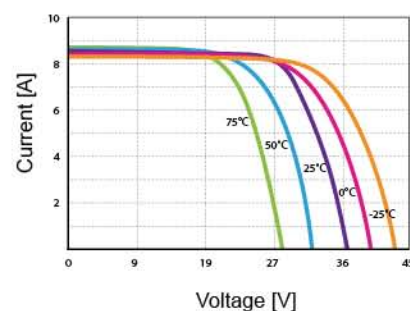
Chubb



### CURRENT-VOLTAGE CURVES



Module characteristics at constant module temperatures of 25°C and variable levels of irradiance



Module characteristics at variable module temperatures and constant module irradiance of 1.000 W/m<sup>2</sup>

ESPMC TYPE	250	255	260	265	270
Power Class	250W	255W	260W	265W	270W
Max. Power Voltage ( $V_{MPP}$ )* at STC**	30.9V	31.15V	31.35V	31.6V	31.8V
Max. Power Current ( $I_{MPP}$ ) at STC	8.1A	8.19A	8.3A	8.4A	8.5A
Open Circuit Voltage ( $V_{OC}$ ) at STC	36.6V	36.8V	37V	37.2V	37.4V
Short Circuit Current ( $I_{SC}$ ) at STC	8.75A	8.81A	8.92A	9.03A	9.14A
Module Efficiency	15.3 %	15.6 %	16 %	16.2%	16.5%

\* MPP: Maximum Power Point

\*\* STC (Standard Test Conditions): 1000W/m<sup>2</sup>, 25°C, AM 1.5

\*\*\* Normal Operating Cell Temperature



ERA SOLAR and the ERA SOLAR logo are trademarks or registered trademarks of ERA SOLAR Corporation.  
© March 2015 ERA SOLAR Corporation. All rights reserved. Specifications included in this datasheet are subject to change without notice.