

# ESPMC

Polycrystalline Solar Module

**Q High-quality**  
With 72 cells and 3 bypass diodes in power classes from 300 to 330 Wp for grid connected systems.

**\$ Reliable**  
The high quality level of ERA SOLAR guarantees long life-time and high earnings.

**kg Solid**  
An Aluminium hollow-chamber frame on each side combined with low-iron and tempered solar glass ensures high load capacity resistance.

**Wp Performance guarantee**  
ERA SOLAR grants a power guarantee of 90% of nominal power output up to 10 years and 80% up to 25 years.

**+** WATTS POSITIVE TOLERANCE

**10** YEARS PRODUCT WARRANTY

**10** YEARS PERFORMANCE GUARANTEE 90%

**25** YEARS PERFORMANCE GUARANTEE 80%



# ESPMC

Polycrystalline Solar Module

## SPECIFICATIONS

Dimensions	1956 x 992 x 35 mm 1956 x 992 x 40 mm 1956 x 992 x 45 mm
Weight	20.9 kg
Frame	Aluminium hollow-chamber frame on each side
Glass	Low-iron and tempered glass 3.2 mm
Cells	72 pcs multi-crystalline Si-cells (156 x 156 mm)
Cell Embedding	EVA
Back-Foil	FEVE / PET/ FEVE
Junction Box	
Cable	4 mm <sup>2</sup> solar cable 2 x 900 mm
Temperature Range	-40°C ... +85°C
Load Capacity	5400 Pa
Application class	Class A
Electrical protection class	Class II
Fire safety class	Class C
Product Warranty	10 years
Power Guarantee	10 years 90% 25 years 80%

## CHARACTERISTICS

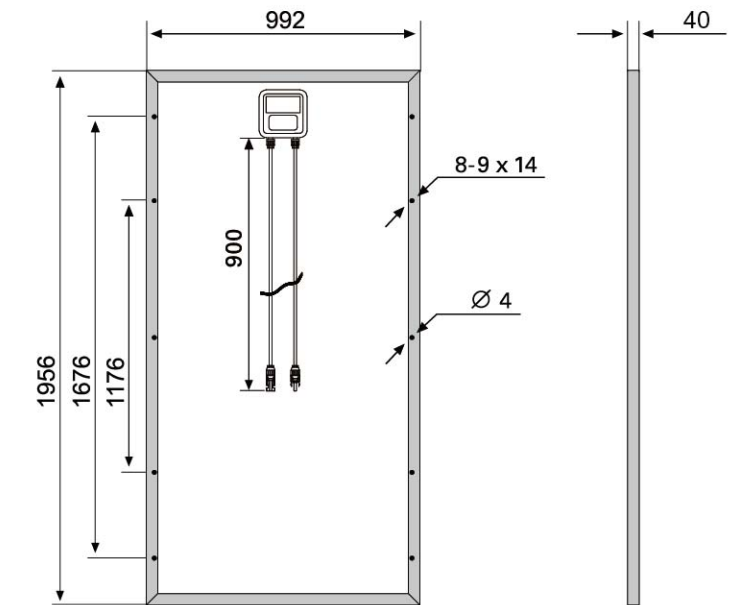
Max. System Voltage	1000V/DC
Temperature- <sub>sc</sub>	+0.08558%/°K
Temperature- <sub>V<sub>OC</sub></sub>	-0.29506%/°K
Temperature- <sub>mpp</sub>	-0.38001%/°K
NOCT***	45°C

## CERTIFICATES

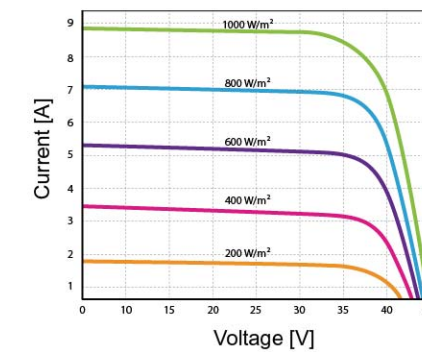
IEC 61215 edition 2 (TÜV Nord)  
IEC 61730 MCS INMETRO  
CE CEC SALT-MIST  
PID Resistant

## INSURANCE

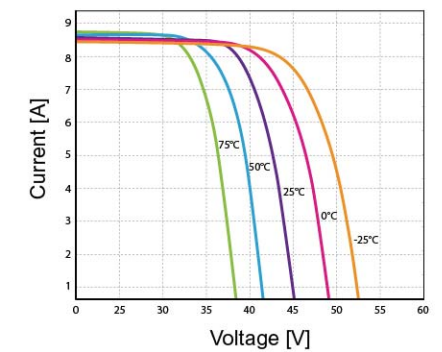
Chubb



## CURRENT-VOLTAGE CURVES



Module characteristics at constant module temperatures (25°C) and different levels of irradiance.



Module characteristics at different module temperatures and constant module irradiance (1.000 W/m<sup>2</sup>).

ESPMC TYPE	300	310	315	320	325	330
Power Class	300W	310W	315W	320W	325W	330W
Max. Power Voltage (V <sub>mpp</sub> )* at STC**	37V	37.3V	37.5V	37.65V	37.8V	37.95V
Max. Power Current (I <sub>mpp</sub> ) at STC	8.1A	8.31A	8.4A	8.5A	8.6A	8.7A
Open Circuit Voltage (V <sub>OC</sub> ) at STC	44.8V	45.1V	45.3V	45.45V	45.6V	45.75V
Short Circuit Current (I <sub>sc</sub> ) at STC	8.7A	8.9A	9A	9.1A	9.2A	9.3A
Module Efficiency	15.5 %	16 %	16.2 %	16.5 %	16.8 %	17 %

\* MPP: Maximum Power Point  
\*\* STC (Standard Test Conditions): 1000W/m<sup>2</sup>, 25°C, AM 1.5  
\*\*\* Normal Operating Cell Temperature

