

ESPSC

Monocrystalline Solar Module



High-quality

With 72 cells and 3 bypass diodes in power classes from 270 to 300 Wp for grid connected systems.



Reliable

The high quality level of ERA SOLAR guarantees long life-time and high earnings.



Solid

An Aluminium hollow-chamber frame on each side combined with low-iron and tempered solar glass ensures high load capacity resistance.



Performance guarantee

ERA SOLAR grants a power guarantee of 90% of nominal power output up to 12 years and 80% up to 30 years.



WATTS
POSITIVE
TOLERANCE



YEARS
PRODUCT
WARRANTY



YEARS
PERFORMANCE
GUARANTEE 90%



YEARS
PERFORMANCE
GUARANTEE 80%

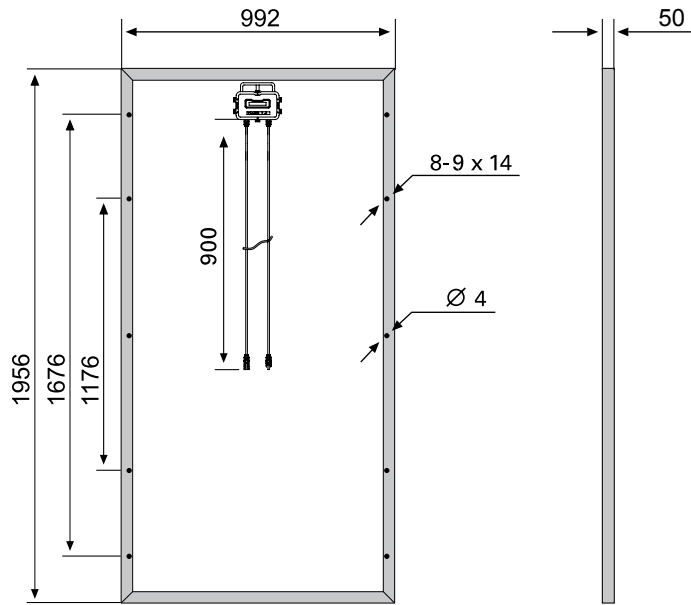


ESPSC

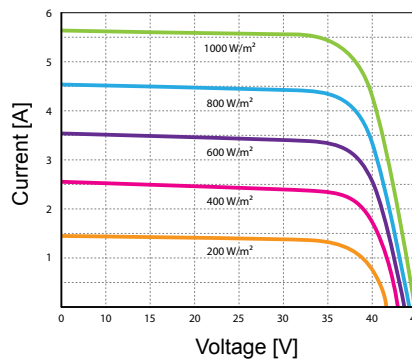
Monocrystalline Solar Module

SPECIFICATIONS

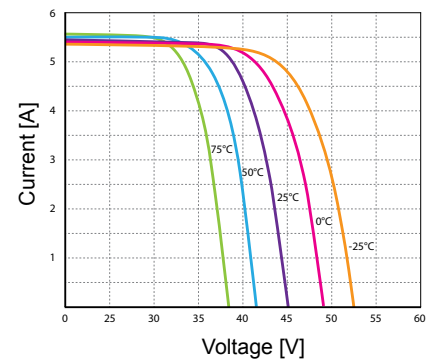
Dimensions	1956 x 992 x 50 mm
Weight	23 kg
Frame	Aluminium hollow-chamber frame on each side
Glass	Low-iron and tempered glass 3.2 mm
Cells	72 pcs monocrystalline Si-cells (156 x 156 mm)
Cell Embedding	EVA
Back-Foil	TPT / TPE / BBF
Junction Box	TÜV certified
Cable	4 mm ² solar cable 2 x 900 mm
Temperature Range	-40°C ... +85°C
Load Capacity	5400 Pa (IEC 61215)
Power Guarantee	12 years 90% 30 years 80%



CURRENT-VOLTAGE CURVES



Module characteristics at constant module temperatures (25°C) and different levels of irradiance.



Module characteristics at different module temperatures and constant module irradiance (1.000 W/m²).

CHARACTERISTICS

Max. System Voltage	1000V/DC
Temperature-Coefficient I_{SC}	+0.07%/°C
Temperature-Coefficient U_{OC}	-0.36%/°C
Temperature-Coefficient P_{mpp}	-0.43%/°C
NOCT***	45°C

ESPSC TYPE	270	275	280	285	290	295	300
Power Class	270W	275W	280W	285W	290W	295W	300W
Max. Power Voltage (U_{mpp})* at STC**	36V	36.2V	36.35V	36.5V	36.7V	36.85V	37V
Max. Power Current (I_{mpp}) at STC	7.5A	7.6A	7.7A	7.8A	7.9A	8A	8.1A
Open Circuit Voltage (U_{OC}) at STC	43.8V	44.05V	44.2V	44.35V	44.5V	44.65V	44.8V
Short Circuit Current (I_{SC}) at STC	8.1A	8.2A	8.3A	8.4A	8.5A	8.6A	8.7A
Module Efficiency	13.9%	14.2%	14.4%	14.7%	14.9%	15.2%	15.5%

* MPP: Maximum Power Point

** STC (Standard Test Conditions): 1000W/m², 25°C, AM 1.5

*** Normal Operating Cell Temperature

CERTIFICATES

IEC 61215 edition 2 (TÜV Rheinland)
IEC 61730 UL CSA MCS

