

ESPMC

Polycrystalline Solar Module

SPECIFICATIONS

Dimensions	1956 x 992 x 35 mm 1956 x 992 x 40 mm 1956 x 992 x 45 mm
Weight	20.9 kg
Frame	Aluminium hollow-chamber frame on each side
Glass	Low-iron and tempered glass 3.2 mm
Cells	72 pcs multi-crystalline Si-cells (156 x 156 mm)
Cell Embedding	EVA
Back-Foil	FEVE / PET/ FEVE
Junction Box	
Cable	4 mm ² solar cable 2 x 900 mm
Temperature Range	-40°C ... +85°C
Load Capacity	5400 Pa
Application class	Class A
Electrical protection class	Class II
Fire safety class	Class C
Product Warranty	10 years
Power Guarantee	10 years 90% 25 years 80%

CHARACTERISTICS

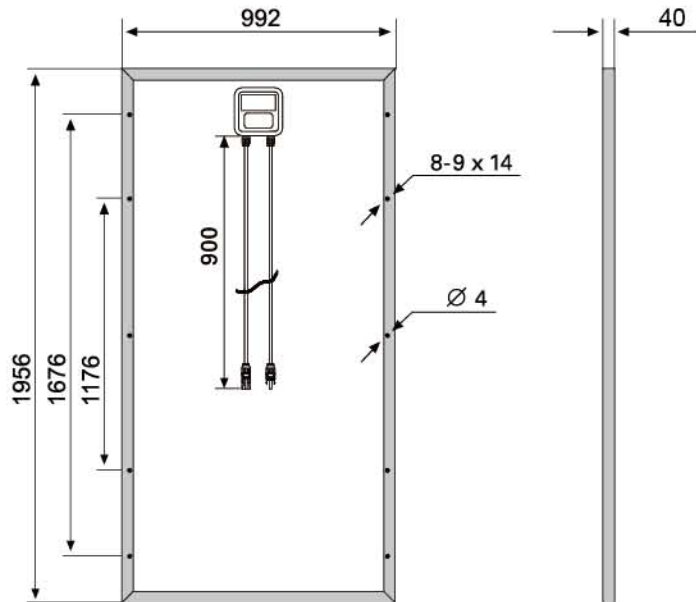
Max. System Voltage	1000V/DC
Temperature- _{sc}	+0.08558%/°K
Temperature- _{V_{oc}}	-0.29506%/°K
Temperature- _{mpp}	-0.38001%/°K
NOCT***	45°C

CERTIFICATES

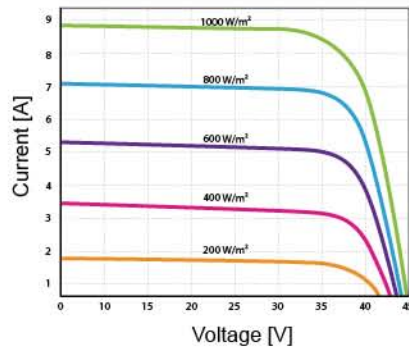
IEC 61215 edition 2 (TÜV Nord)
IEC 61730 MCS INMETRO
CE CEC SALT-MIST
PID Resistant

INSURANCE

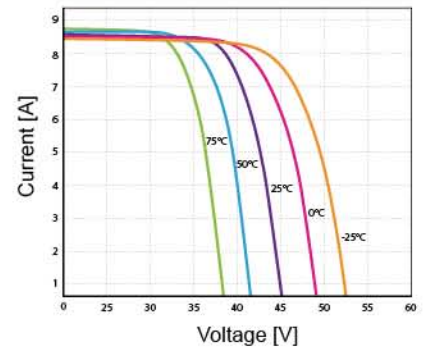
Chubb



CURRENT-VOLTAGE CURVES



Module characteristics at constant module temperatures (25°C) and different levels of irradiance.



Module characteristics at different module temperatures and constant module irradiance (1.000 W/m²).

ESPMC TYPE	300	305	310	315	320	325
Power Class	300W	305W	310W	315W	320W	325W
Max. Power Voltage (V _{mpp})* at STC**	37V	37.15V	37.3V	37.5V	37.65V	37.8V
Max. Power Current (I _{mpp}) at STC	8.1A	8.21A	8.31A	8.4A	8.5A	8.6A
Open Circuit Voltage (V _{oc}) at STC	44.8V	44.95V	45.1V	45.3V	45.45V	45.6V
Short Circuit Current (I _{sc}) at STC	8.7A	8.8A	8.9A	9A	9.1A	9.2A
Module Efficiency	15.5 %	15.7 %	16 %	16.2 %	16.5 %	16.8 %

* MPP: Maximum Power Point

** STC (Standard Test Conditions): 1000W/m², 25°C, AM 1.5

*** Normal Operating Cell Temperature



ERA SOLAR and the ERA SOLAR logo are trademarks or registered trademarks of ERA SOLAR Corporation.
© March 2015 ERA SOLAR Corporation. All rights reserved. Specifications included in this datasheet are subject to change without notice.