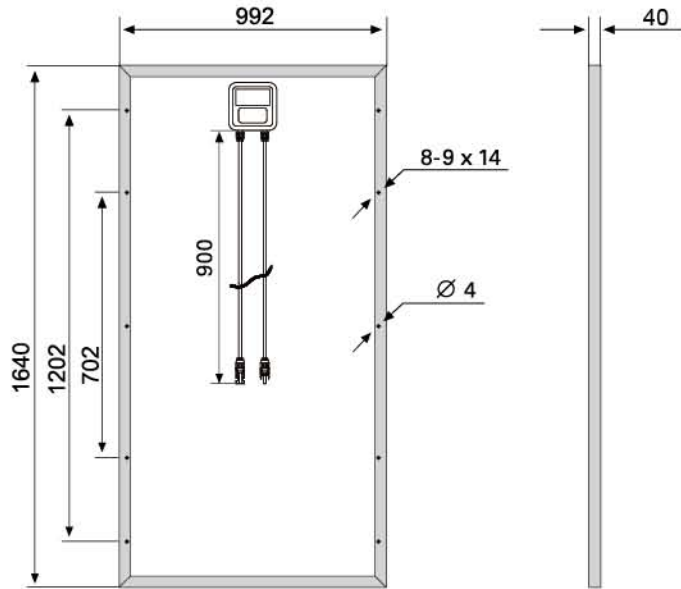


ESPSC

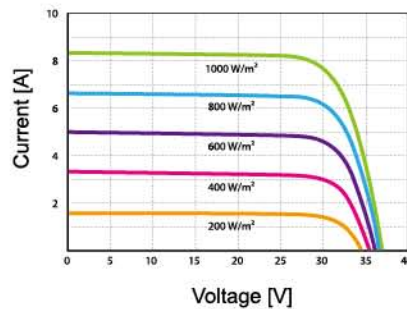
Monocrystalline Solar Module

SPECIFICATIONS

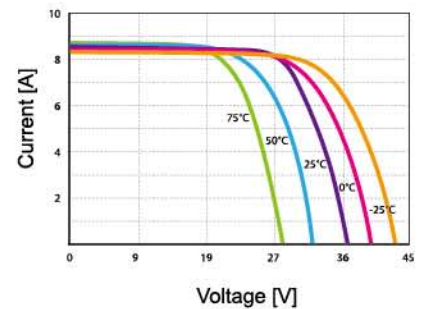
| | |
|-----------------------------|--|
| Dimensions | 1640 x 992 x 35 mm 1640 x 992 x 40 mm 1640 x 992 x 45 mm |
| Weight | 17.75 kg |
| Frame | Aluminium hollow-chamber frame on each side |
| Glass | Low-iron and tempered glass 3.2 mm |
| Cells | 60 pcs monocrystalline Si-cells (156 x 156 mm) |
| Cell Embedding | EVA |
| Back-Foil | FEVE / PET / FEVE |
| Junction Box | TÜV certified |
| Cable | 4 mm ² solar cable 2 x 900 mm |
| Temperature Range | -40°C ... +85°C |
| Load Capacity | 2400 Pa(IEC 61215),35mm 5400 Pa(IEC 61215),45mm |
| Application class | Class A |
| Electrical protection class | Class II |
| Fire safety class | Class C |
| Product warranty | 10 years |
| Power Guarantee | 10 years 90% 25 years 80% |



CURRENT-VOLTAGE CURVES



Module characteristics at constant module temperatures of 25°C and variable levels of irradiance



Module characteristics at variable module temperatures and constant module irradiance of 1.000 W/m²

CHARACTERISTICS

| | |
|-----------------------------------|--------------|
| Max. System Voltage | 1000V/DC |
| Temperature-Coefficient I_{sc} | +0.02973%/°K |
| Temperature-Coefficient V_{oc} | -0.38038%/°K |
| Temperature-Coefficient P_{mpp} | -0.57402%/°K |
| NOCT*** | 45°C |

CERTIFICATES

IEC 61215 edition 2 (TÜV Nord)
(TÜV Rheinland)
IEC 61730 MCS INMETRO
CE CEC SALT-MIST
UL1703 CSA
PID Resistant

INSURANCE

Chubb

| ESPSC TYPE | 250 | 255 | 260 | 265 | 270 | 275 | 280 |
|--|--------|--------|--------|-------|-------|-------|-------|
| Power Class | 250W | 255W | 260W | 265W | 270W | 275W | 280W |
| Max. Power Voltage (V_{mpp})* at STC** | 30.9V | 31.15V | 31.35V | 31.6V | 31.8V | 32V | 32.2V |
| Max. Power Current (I_{mpp}) at STC | 8.1A | 8.19A | 8.3A | 8.4A | 8.5A | 8.6A | 8.7A |
| Open Circuit Voltage (V_{oc}) at STC | 36.8V | 36.8V | 37V | 37.2V | 37.4V | 37.6V | 37.8V |
| Short Circuit Current (I_{sc}) at STC | 8.75A | 8.81A | 8.92A | 9.03A | 9.14A | 9.25A | 9.36A |
| Module Efficiency | 15.4 % | 15.7 % | 16% | 16.2% | 16.5% | 16.9% | 17.2% |

* MPP: Maximum Power Point

** STC (Standard Test Conditions): 1000W/m², 25°C, AM 1.5

*** Normal Operating Cell Temperature

