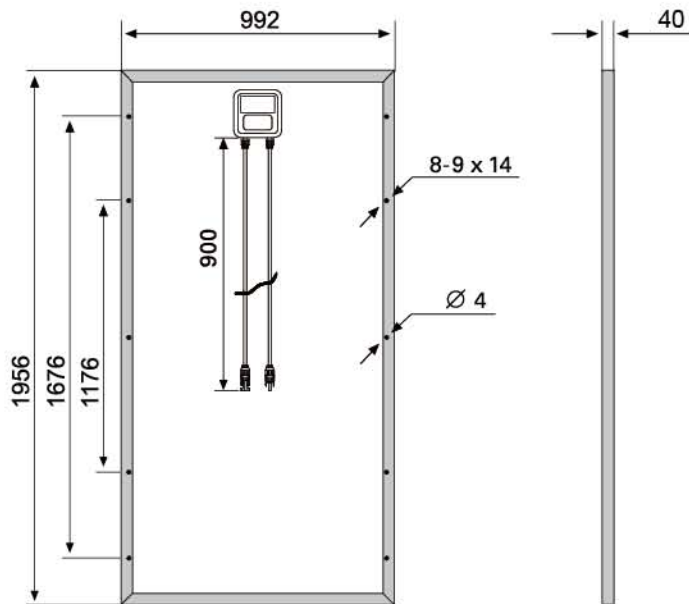


# ESPSC

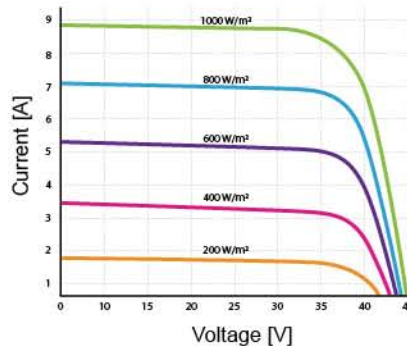
## Monocrystalline Solar Module

### SPECIFICATIONS

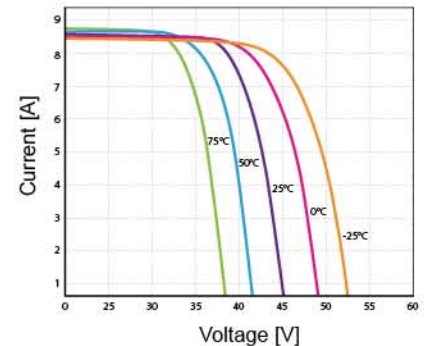
Dimensions	1956 x 992 x 35 mm 1956 x 992 x 40 mm 1956 x 992 x 45 mm
Weight	21.5 kg
Frame	Aluminium hollow-chamber frame on each side
Glass	Low-iron and tempered glass 3.2 mm
Cells	72 pcs Mono-crystalline Si-cells (156 x 156 mm)
Cell Embedding	EVA
Back-Foil	TÜV certified FEVE / PET/ FEVE
Junction Box	
Cable	4 mm <sup>2</sup> solar cable 2 x 900 mm
Temperature Range	-40°C ... +85°C
Load Capacity	5400 Pa
Application class	Class A
Electrical protection class	Class II
Fire safety class	Class C
Product Warranty	10 years
Power Guarantee	10 years 90% 25 years 80%



### CURRENT-VOLTAGE CURVES



Module characteristics at constant module temperatures (25°C) and different levels of irradiance.



Module characteristics at different module temperatures and constant module irradiance (1.000 W/m<sup>2</sup>).

### CHARACTERISTICS

Max. System Voltage	1000V/DC
Temperature-Coefficient $I_{SC}$	+0.02973%/°K
Temperature-Coefficient $V_{OC}$	-0.38038%/°K
Temperature-Coefficient $P_{MPP}$	-0.57402%/°K
NOCT***	45°C

### CERTIFICATES

IEC 61215 edition 2 (TÜV Nord)  
IEC 61730 MCS INMETRO  
CE CEC SALT-MIST  
PID Resistant

### INSURANCE

Chubb

ESPSC TYPE	300	305	310	315	320	325	330
Power Class	300W	305W	310W	310W	320W	325W	330W
Max. Power Voltage ( $V_{MPP}$ )* at STC**	37V	37.15V	37.3V	37.5V	37.65V	37.8V	37.95V
Max. Power Current ( $I_{MPP}$ ) at STC	8.1A	8.21A	8.31A	8.4A	8.5A	8.6A	8.7A
Open Circuit Voltage ( $V_{OC}$ ) at STC	44.8V	44.95V	45.1V	45.3V	45.45V	45.6V	45.75V
Short Circuit Current ( $I_{SC}$ ) at STC	8.7A	8.8A	8.9A	9A	9.1A	9.2A	9.3A
Module Efficiency	15.4 %	15.7 %	16 %	16.2 %	16.4 %	16.7 %	17 %

\* MPP: Maximum Power Point

\*\* STC (Standard Test Conditions): 1000W/m<sup>2</sup>, 25°C, AM 1.5

\*\*\* Normal Operating Cell Temperature



ERA SOLAR and the ERA SOLAR logo are trademarks or registered trademarks of ERA SOLAR Corporation.  
© March 2015 ERA SOLAR Corporation. All rights reserved. Specifications included in this datasheet are subject to change without notice.